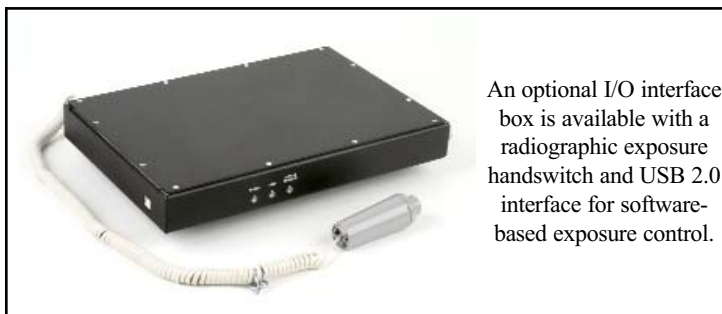




Product Description

The PaxScan 2520E+ is a ruggedized X-ray imaging sub-system designed for high-speed radiographic imaging in the field. Based upon the new Gigabit Ethernet interface standard, images are displayed instantaneously on a user-supplied workstation or laptop fitted with the appropriate Gigabit controller chipset. The lightweight magnesium housing is shock-resistant.

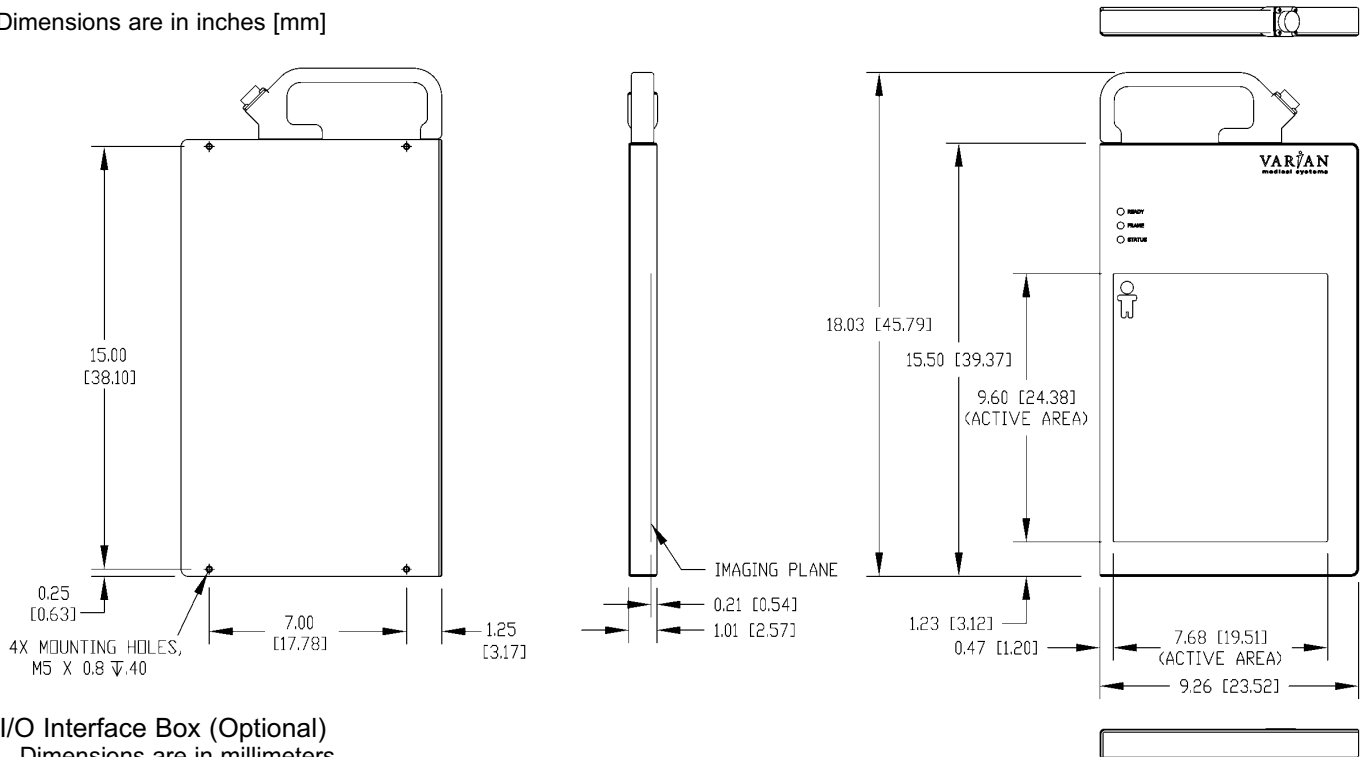


An optional I/O interface box is available with a radiographic exposure handswitch and USB 2.0 interface for software-based exposure control.

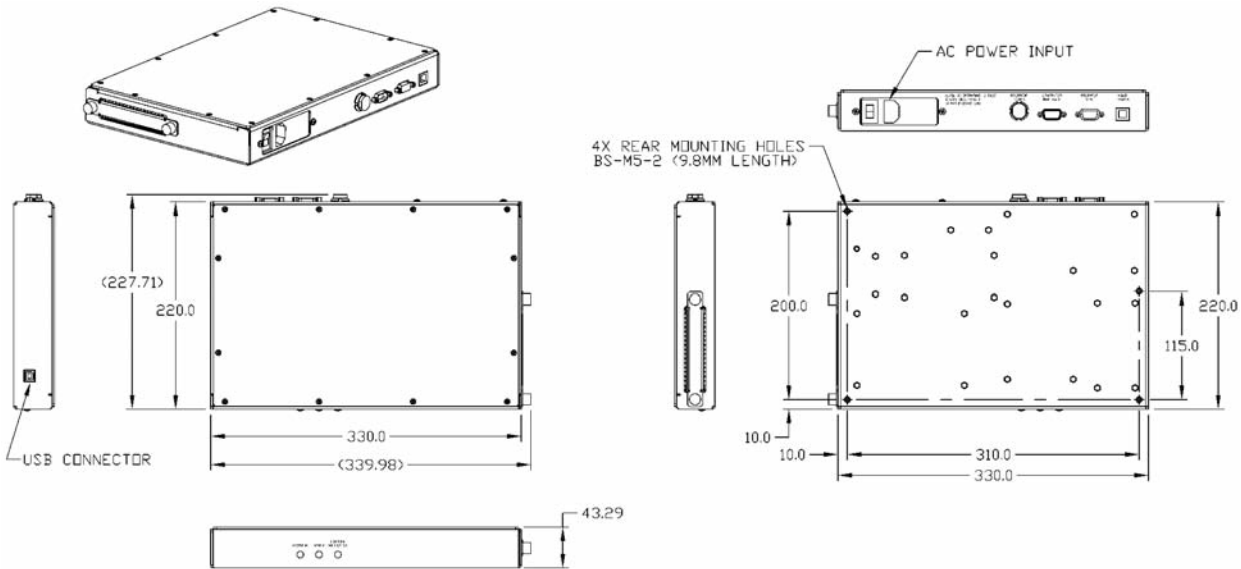
Technical Specifications

Receptor Type	Amorphous Silicon	Software	
Conversion Screen	CsI, DRZ Plus, or Gd ² O ₂ S: Tb (Kodak Lanex Screen)	The software release includes ViVA™, a basic application for image acquisition and viewing on an end-user workstation or laptop running Microsoft® Windows™. The developer's software package includes a "Virtual Command Processor" software interface that performs detector calibration, receptor set-up, image acquisition, and image corrections. ViVA™ includes file translators for .viv, .raw, .jpg, and .bmp formats. Windows® XP compatible.	
Pixel Area	Total 19.5 x 24.4 cm (7.68 x 9.6 inch) Active 17.9 x 23.8 cm (7.05 x 9.38 inch)	Environmental	
Pixel Matrix	Total 1,536 x 1,920 Active 1,516 x 1,900	Shock	High-shock tolerance
Pixel Pitch	127 μm ²	Temperature Range - Operating	1°C to 35°C (max.) (Ambient) - Storage
Limiting Resolution	3.94 lp/mm	Humidity - Operating (non-condensing)	10 to 90% Storage (non-condensing)
MTF, X-Ray	≥48% 1 lp/mm, Gd ₂ O ₂ S:Tb screen (80 kVp)	Atmospheric Pressure	70 kPa to 106 kPa
Energy Range	40 - 150 kVp	Regulatory	
Fill Factor	57%	Classified by Underwriters Laboratories, Inc. to UL 60601-1, IEC 60601-1, CSA 22.2 No. 601.1-M90, and CE.	
Image Capture	Intel PRO/1000GT Desktop Adaptor (PCI) (Customer supplied)	Mechanical	
Scan Method	Progressive	Weight (with cables)	7.3 lbs. (3.3 kg) I/O Interface Box (optional)
Data Output	Gigabit Ethernet	Housing Material	Magnesium
A/D Conversion	14-bits	Sensor Protection Material	Carbon fiber plate (2.5 mm thick) and magnesium
Frame Rate	1-10 fps (1 x 1) (Workstation dependent)	Power	
Laptop/PC Interface	Ethernet Port	Power Dissipation	15 watts (cont.) 16 watts (max.)
Exposure Control	USB port on host computer	Power Supply/Adaptor	+12 VDC

Drawings are for reference only
Dimensions are in inches [mm]



I/O Interface Box (Optional)
Dimensions are in millimeters



VARIAN
medical systems

**X-RAY
PRODUCTS**

Salt Lake City, UT

1-801-972-5000

www.varian.com